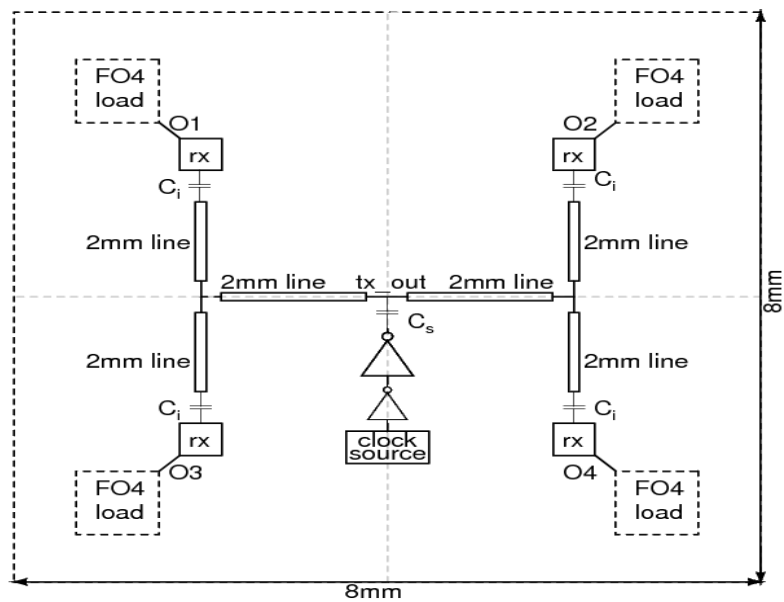


Capacitive Coupled Current Mode Clock Distribution Network

The present disclosure describes capacitively coupled clock distribution network (CC-CDN) which reduces the clock skew and power consumption of the clock distribution network. A novel delay line called process invariant delay line (PIDL) which is less variant to process has been employed as the receiver for the clock distribution as a result of which skew is reduced.



Patent application no. 3324/MUM/2014