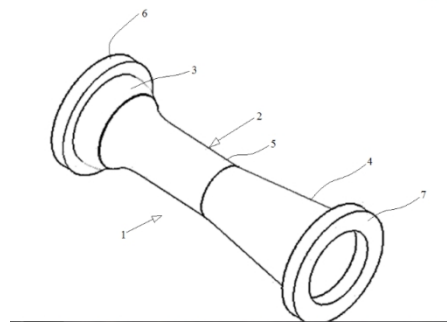


Vortex Flowmeter for Measuring a Fluid Flow Rate

- This invention relates to vortex flowmeter for measuring a fluid flow rate.
- Comprises a flow conduit having a contraction cone fluid inlet and a diverging cone fluid outlet and a cylindrical throat between the contraction cone fluid inlet and diverging cone fluid outlet
- A bluff body is located at the centre of the cylindrical throat and a sensor is located offset with the front face of the bluff body in the direction of the diverging cone fluid outlet of the flow conduit.
- The inner end diameter of the contraction cone fluid inlet matches with the outer end diameter of the diverging cone outlet and the inner end diameter of the contraction cone inlet matches with the diameter of a fluid inlet pipe connected to the contraction cone fluid inlet and the outer end diameter of the diverging cone fluid outlet matches with the diameter of a fluid outlet pipe connected to the diverging cone fluid outlet.



Patent Application no. 2459/MUM/2015