

An interoperable on-site processing and analysis platform for WSN

An interoperable on-site processing and analysis platform of a Wireless Sensing Network (WSN) deployed in a field is disclosed.

The interoperable on-site processing and analysis platform comprises

- an ADC configured to receive raw measurement from a plurality of sensors plugged into the interoperable on-site processing and analysis platform deployed on a site.
- The raw measurement corresponds to on-site parameters of the field.
- Further, a System on Chip (SoC) unit connected to the ADC is configured to convert the raw measurement into an observation and transmit the observation to a remote device.

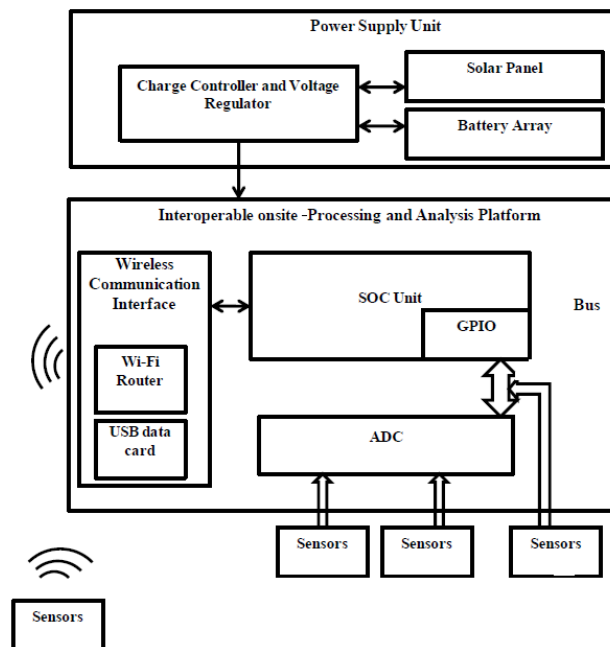


Fig – 1: an Wireless Sensing Network (WSN) environment deploying an on-site processing and analysis platform for measurement of on-site parameters of a field