

An apparatus for sensing data

An apparatus for sensing data is disclosed.

The Technology

- The apparatus comprises multiple slots for supporting replacement of sensors.
- The multiple slots comprise a signal conditioning circuit
- The signal conditioning circuit comprises a signal replacement unit to change one or more sensors for measuring data.
- The multiple slots in the apparatus further comprises a data processing unit (circuit) configured to receive data so measured by the signal condition circuit to generate an output processed data.
- The multiple slots in the apparatus further comprise a power supply unit to supply power to the signal conditioning unit and the data processing unit.

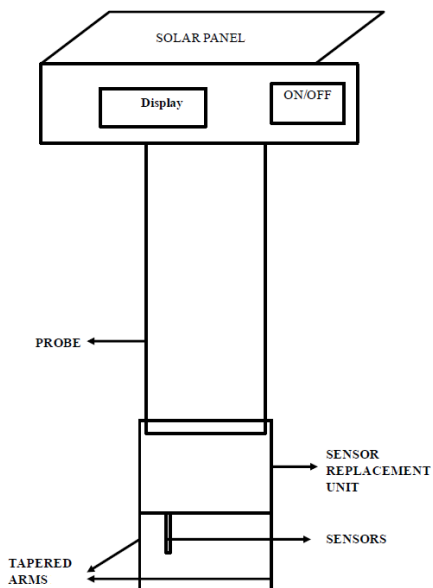
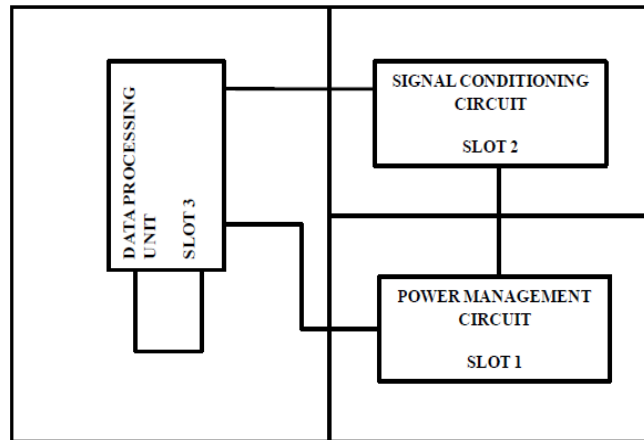


Fig -1: Apparatus for sensing data of a media

Fig – 2: multiple slots in the apparatus for sensing data of a media

Patent Application No. 3054/MUM/2015